

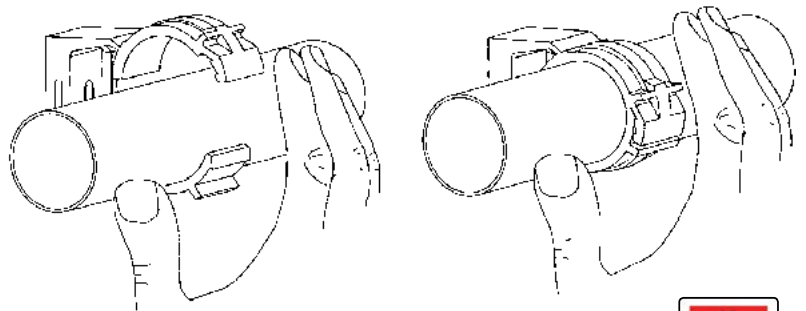
Clic[®] Clamps

Gripping possibilities for the world of pipe and cable fastening.



Benefits of Clic[®] Clamps include:

- ▶ Fast to install
- ▶ Heavy duty and strong
- ▶ Can be used as hangers
- ▶ UV and chemical resistant
- ▶ Suitable for a wide range of piping options due to the unique ratchet system
- ▶ -40 to 110°C temperature suitability



Tested and internationally certified, used in over 40 countries worldwide, CLIC clamps have been approved for use in a huge range of industry applications.

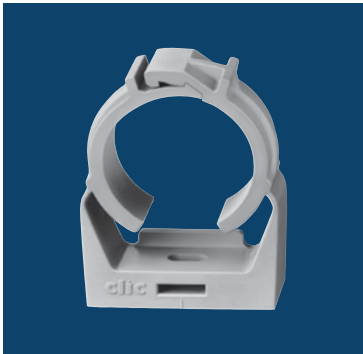
- Telecommunication/ Electrical
- Dairy and Food
- Chemical and corrosive
- Marine
- Sanitary/Hygiene
- Mechanical
- Fire safety systems
- Infrastructure/Construction



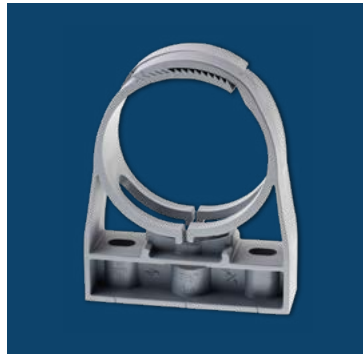
**Clic on with superior pipe clamping technology that's
sturdy, secure and super easy to install.**

Clic brackets can take a range of pipe diameters, one clip can hold a range of different pipe sizes, i.e. CLIC59 can hold 50mm PVC pressure, 63mm PPR, 63mm PE, 63mm stainless steel and 50mm galv.

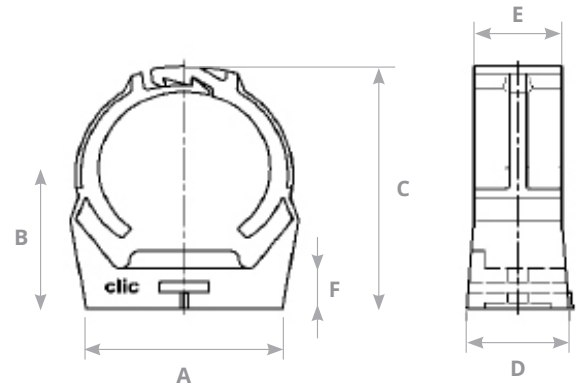
Clic Type 15 - 59



Clic Type 63 - 113



Technical Information



Clic Weight Loading:

Clic Type	Clic Size	A (mm)	B (mm)	C (mm)	D (mm)	E (mm)	F (mm)	Safe Working Load In All Directions Kg
15	14.3 - 16.8mm	20.6	20	32	17.1	14.5	7.5	22.43
20	19.5 - 21.8mm	24.8	23.7	39.4	20	16.3	7.8	25.49
22	21.8 - 24.8mm	27.8	25.5	42	20	16.5	7.8	27.53
25	24.8 - 27.8mm	30.4	26.8	45.1	20	17	8.8	30.59
28	27.8 - 31.2mm	33.4	28.8	48.9	20.2	17	8.8	32.63
32	31.2 - 35.5mm	38	32.2	54.4	21	17.5	9	37.73
36	35.5 - 39.5mm	41.8	34.3	59.4	21	18	9.1	40.79
40	39.5 - 43.5mm	46.2	36.3	64.2	21	18.6	9.4	44.87
47	46.5 - 50.5mm	53.5	40.6	72.8	22	19.5	9.8	47.93
51	50.5 - 55.5mm	58.6	44.3	78.7	23	20	10.2	50.99
59	58.5 - 64.0mm	66.3	48.6	88.2	23.2	21	10.7	55.06

with screw DIN 571 at + 20°C safety factor ~ 3 included *Load direction as per above

Clic Type	Clic Size	A (mm)	B (mm)	C (mm)	D (mm)	E (mm)	F (mm)	Vertical Force Kg	Horizontal Force Kg
63	63 - 71mm	78	72	115	40	31	52	61.18	34.67
71	71 - 80mm	87	77	124	40	31	58	75.45	44.86
80	80 - 90mm	98	83	136	40	31	66	89.73	55.06
90	90 - 101mm	110	89	148	40	31	76	101.97	65.26
101	101 - 113mm	124	96	163	40	31	86	122.36	75.45
113	113 - 127mm	139	105	180	40	31	102	137.66	85.65

with screw DIN 571 at + 20°C safety factor ~ 3 included *Load direction as per above



**WATER
WORKS**

Smarter pipeline solutions

**Talk to our team now about your
piping projects 0800 387 677**

e: info@waterworks.co.nz w: www.waterworks.co.nz